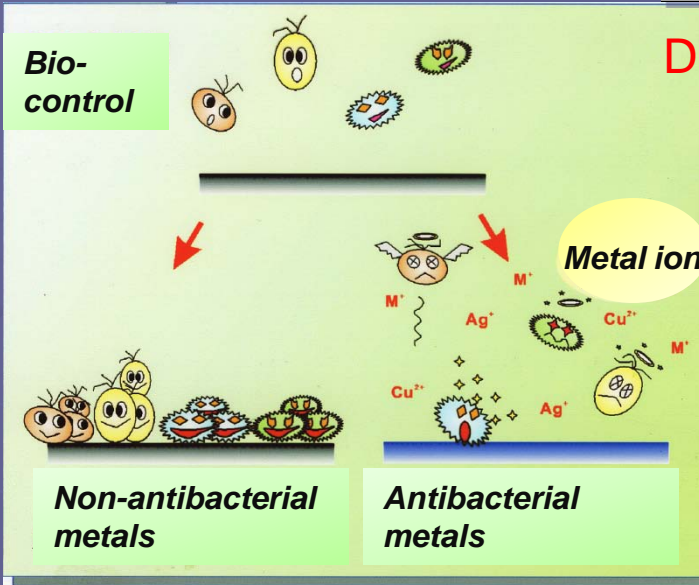


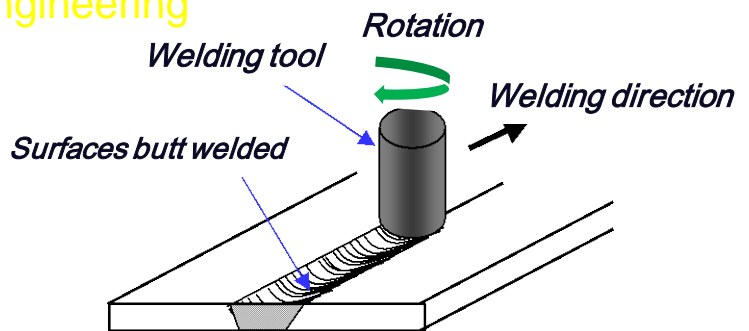
# Kamiya-Miyano Group



Development for diamond saw wire  
Environmental friendly processing

Counter measure for bio hazard

Bio-control based on material engineering



Application of FSW on HNS

Utilization for Ni free stainless steel

E-mail

kamiya@ipc.akita-u.ac.jp

y.miyano@gipc.akita-u.ac.jp

Keywords: Diamond grained saw wire, Metal bond, Antibacterial metal, biofilm, Friction Stir Welding, High nitrogen containing austenitic steel